

## SW-CH-117 Handlebar Mount for Bottle Holder

- Material: PA6
- Fix on handlebar to hold bottle cage.
- Angle adjustable.
- Fit  $\varnothing 22.2 \sim \varnothing 35\text{mm}$  handlebars.
- \* Bottle cage not included.



Packaged Size  
L 145 x W 110mm.

## SW-CH-117A Handlebar Mount

- Material: PA6
- Fit  $\varnothing 22.2 \sim \varnothing 35\text{mm}$  handlebars.



Angle-adjustable



Packaged Size  
L 145 x W 110mm.

## SW-CH-117B Handlebar QR Mount for Bottle Holder

- Material: PA6
- Fit  $\varnothing 22.2 \sim \varnothing 35\text{mm}$  handlebars.



Works on Handlebar



Quick-Release



Packaged Size  
L 145 x W 110mm.

## SW-CR-111/CR-111B Quick-release Adaptor

- **CR-111:** Quick-release adaptor without lock.
- Material: PP
- Adapt with: SW-KC-111 / SW-KC-115 / CB-111 / SW-906A
- **CR-111B:** Quick-release adaptor with integrated lock on button.
- Material: PP
- Adapt with: SW-KC-111 / SW-KC-115 / CB-111 / SW-906A

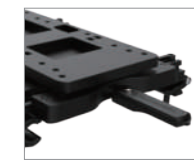


## SW-CR-113 Quick-release Adaptor

- Material: PA+GF / PCR-PA+GF
- L 250 x W 160 x H 25mm / Weight : 680g
- Adapt with: SW-KC-115 / SW-KC-111 / CB-111 / SW-906A / SW-906
- Fit  $\varnothing 8 \sim 16\text{mm}$  (shelf tube)
- Width: 70~160 mm / 130~200 mm



360°



Release unlock



GPS Trackers storage space



## SW-QRB(1/3/5) Handlebar Quick-release Adaptor

- Material: PA6
- Multi-angle adjustable.
- Adapt all Sunny Wheel baskets and bags.
- German Patent #20300747.6

**QRB:** fit  $\varnothing 22.2$  /  $\varnothing 25.4$ mm handlebars.

**QRB1:** fit  $\varnothing 25.4$  /  $\varnothing 28.6$  / 31.8mm handlebars.

**QRB3:** fit  $\varnothing 22.2$  / Tapered  $\varnothing 22.2$ ~ $25.4$ mm handlebars.

**QRB5:** fit  $\varnothing 22.2$  /  $\varnothing 25.4$  /  $\varnothing 28.6$  /  $\varnothing 31.8$ mm / Tapered  $\varnothing 22.2$ ~ $25.4$ mm handlebars.



Multi-angle Adjustable



## SW-QRF2 Upright-post Quick-release Adaptor

- Material: PA6
- With Press release system.
- Fit  $\varnothing 25$ ~ $32$ mm upright head tube or seat posts.
- Adapt all Sunny Wheel baskets and bags.

**QRF2:** Medium-length arm with adjustable angle.



**QRF2**  
Medium-length Arm with Adjustable Angle

**QRF2-1**  
fit  $\varnothing 35$ ~ $\varnothing 38$ mm upright head tube or seat posts.



## SW-QC-111A Saddle Rail Mount

- Material: Nylon / Aluminum



## SW-QC-113A Saddle Rail QR Mount for Mudguard

- Material: Nylon / Aluminum



with PS1R Fender



## SW-QC-115A Saddle Rail QR Mount for Bottle Holder

- Material: Nylon / Aluminum



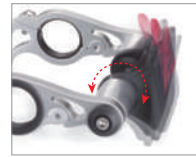
Fits most Bottle Holder



# SW-QA-111 series Aluminum Handlebar Quick-release Adaptor

- Material: Aluminum / PA6
- **QA-111E:** Fit  $\phi 22.2 \sim 31.8$ mm handlebars / Compatible with SW-QRB5
- L 135 x W 54 x H 75 mm / Weight: 290g
- **QA-111E1:** Fit  $\phi 22.2 \sim 31.8$ mm handlebars / Width: 75 mm (For E-bike)
- **QA-111E2:** Fit  $\phi 22.2 \sim 31.8$ mm handlebars / Width: 95 mm (For E-bike)
- **QA-111E3:** Fit  $\phi 22.2 \sim 31.8$ mm handlebars / Width: 120 mm (For E-bike)
- Color Choice: Sandblasted Silver / Sandblasted Black

Patented



Angle-adjustable



Customizable Laser Logo



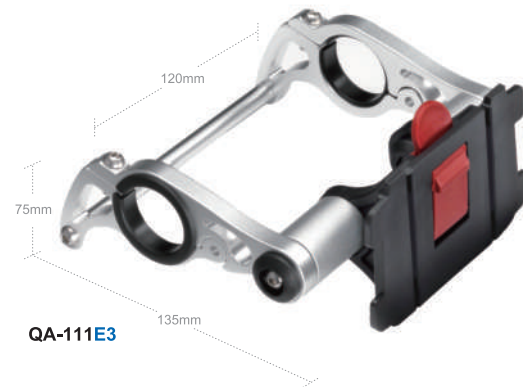
SHIMANO system



BOSCH system



QA-111E



QA-111E3



QA-111E1



QA-111E2

# SW-QRD

## Upright-post Quick-release Adaptor

- Material: PA6
- Adapt all Sunny Wheel baskets and bags.
- Selective QR01(S) steel clamp to fix upright head tube or seat post.
- **QRD:** with Press release system.



QRD (Press button)

# SW-QR01(S)

## Upright-post Quick-release Adaptor Clamp

- Material: ED Steel
- Adapt with SW-QRD.
- **QR01:** fit  $\phi 25.4 \sim 32$ mm upright head tube or seat post.
- **QR01S:** fit  $\phi 22.2 \sim 25.4$ mm upright head tube or seat post.



Adapt with QRD

# SW-QRE

## Upright-post Quick-release Adaptor

- Material: PA6
- With Push-back release system.
- Fit  $\phi 25 \sim 32$ mm upright head tube or seat posts.
- Adapt all Sunny Wheel baskets and bags.
- **QRE:** Short arm with fixed angle.

# SW-QRE2

## Upright-post Quick-release Adaptor

- Material: PA6
- With Push-back release system.
- Fit  $\phi 25 \sim 32$ mm upright head tube or seat posts.
- Adapt all Sunny Wheel baskets and bags.
- **QRE2:** Medium-length arm with adjustable angle.

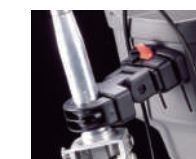
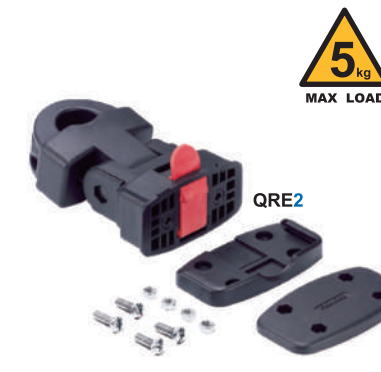
# SW-QRE3 SW-QRE3-1

## Upright-post Quick-release Adaptor

- Material: PA6
- With Push-back release system.
- **QRE3:** Fit  $\phi 25 \sim 32$ mm upright head tube or seat posts.
- **QRE3-1:** Fit  $\phi 35 \sim 38$ mm upright head tube or seat posts.
- Adapt all Sunny Wheel baskets and bags.
- **QRE3:** Longest arm with adjustable angle.
- **QRE3-1:** Longest arm with adjustable angle.



QRE Short Arm with Fixed angle



QRE2 Medium-length Arm with Adjustable Angle



QRE3 Longer Arm with Adjustable Angle

# SW-QR-113A

Handlebar Quick-release Adaptor

Patented

- Material: PA6
- L 140 x W 60 x H 70 mm / Weight: 245g

•QR-113A: Fit  $\varnothing 22.2 \sim 31.8$ mm handlebars / Width: 60 mm



Angle-adjustable



Quick-release for Basket



# SW-QR-113B

Handlebar Quick-release Adaptor

- Material: PA6
- L150 x W 90 x H 95 mm / Weight: 272g

•QR-113B: Fit  $\varnothing 22.2 \sim 31.8$ mm handlebars / Width: 90 mm (For E-bike)



Fit E-BIKE panel



Angle-adjustable



# SW-QA-113 series

Aluminum Handlebar Quick-release Adaptor

Patented



- Material: Aluminum / PA6
- QA-113E: Fit  $\varnothing 22.2 \sim 31.8$ mm handlebars / Compatible with SW-QRB5
- L 169 x W 54 x H 90 mm / Weight: 310g

- QA-113E1: Fit  $\varnothing 22.2 \sim 31.8$ mm handlebars / Width: 75 mm (For E-bike)
- QA-113E2: Fit  $\varnothing 22.2 \sim 31.8$ mm handlebars / Width: 95 mm (For E-bike)
- QA-113E3: Fit  $\varnothing 22.2 \sim 31.8$ mm handlebars / Width: 120 mm (For E-bike)
- Color Choice: Sandblasted Silver / Sandblasted Black



Quick-release for Basket



Angle-adjustable



Customizable Laser Logo

QA-113E



QA-113E3



QA-113E1



QA-113E2

